



GE INDUSTRIAL MOTORS
a **WOLONG** company

Product Technical Information

June 24, 2020

Data shown is for the current revision model #. Ensure your nameplate model # matches.

Model Number:	5KS213XAA1044C
Catalog Number:	M9547
Instruction Manual:	GEI-56128
Connection Diagram:	GEM2034E-FIG1
Outline Drawing:	4002B5821PBP5463

Accessory Connection Diagrams

Bearing Thermocouple:	None	Heater:	None
RTD:	None	Thermistor:	None
Thermostat:	None	Winding Thermocouple:	None
Bearing RTD:	None		

Table of Contents

Specification	01
Performance Characteristics	02
Outline Drawing	03
Connection Drawing(s)	04
Spare parts	05

Marks:

MODEL NUMBER:	5KS213XAA1044C	Estimated Weight:	200 Lbs
Outline Drawing:	4002B5821PBP5463	Time Rating:	CONT
Connection Diagram:	GEM2034E-FIG1	Enclosure:	TEFC
Instruction Book:	GEI-56128	Encl Construction:	841
Design Code:	21BD0074BA	Ambient Max(°C):	40
Type:	KS	Alt Ambient Max(°C):	--
Frame:	213TC	Insulation Class:	H
Phases:	3	NEMA Design:	B
Poles:	2	Nominal Efficiency:	89.5 %
Output Power:	7.5HP 5.6KW	Guaranteed Efficiency:	88.5 %
RPM:	3530	3/4 Load Efficiency:	--
Voltage:	575	KVA Code:	H
Hertz:	60	Max KVAR:	2.1
Amps - FL:	7.2	Power Factor:	87.5
Service Factor:	1.15	Bearing - DE:	6309ZC3
Alt Service Factor:	--	Bearing - ODE:	6208ZC3

Enclosure is Totally Enclosed Fan-Cooled

Stamped Nameplate Notes:

IEEE-STD-841-2009
 DE BRG 45BC03JP30 ODE BRG 40BC02JP30
 STAMP NP249A5564P051 AS BELOW:
 MODEL:5KS213XAA1044C S/N: XXX
 CSA CERTIFIED CSA09.2216219 FOR EX NA IIC 200C GC
 CL 1 ZONE2 AEX NA IIC 200C;CL 1 DIV2 GRP ABCD 200C
 IN -25C <= AMB <= 40C, 1.0 SF ON SINE-WAVE PWR
 SURF TEMP 200C AT 1.15SF ON SINE-WAVE PWR
 OR 200C VT OR 200C CT OR 200C CHP PWM CONTROL
 ALTERNATE RATING FOR PWM CONTROL 1.0SF 40C AMB
 VT 0 - 60 HZ, CT 3-60 HZ, CHP 60-90 HZ.



Additional Information:

2P - T EXTN
STANDARD FLOOR MOUNT
C/BOX 55 CU IN-1.00 NPT
F1 CONDUIT BOX MOUNTING
"C" FACE AT DE ENDSHIELD AK=8 1/2"
PAINTED FRAME ID & SHAFT,
FAN COVER INSIDE & ODE E/S OUTSIDE
ROUTINE AND 5 POINT VIBRATION TESTS INCL IN C/BOX
INPRO SEAL BOTH ENDS
GROUND SCREW ON FRAME
ROTATE D.E. E/SHIELD 90 DEG. PER OUTLINE
SHAFT RUNOUT LIMIT .001" TIR
COPPER WASHER UNDER HEADS OF BEARING CAP BOLTS
APPLY TITE-SEAL (A50CD427A) ON BEARING CAP SCREWS, RABBETS,
AND PLUG THREADS
OIL RESISTANT SLEEVING ON LEADS



Performance Characteristics

1st Winding 1st Connection

Design: 21BD0074BA

Marks:

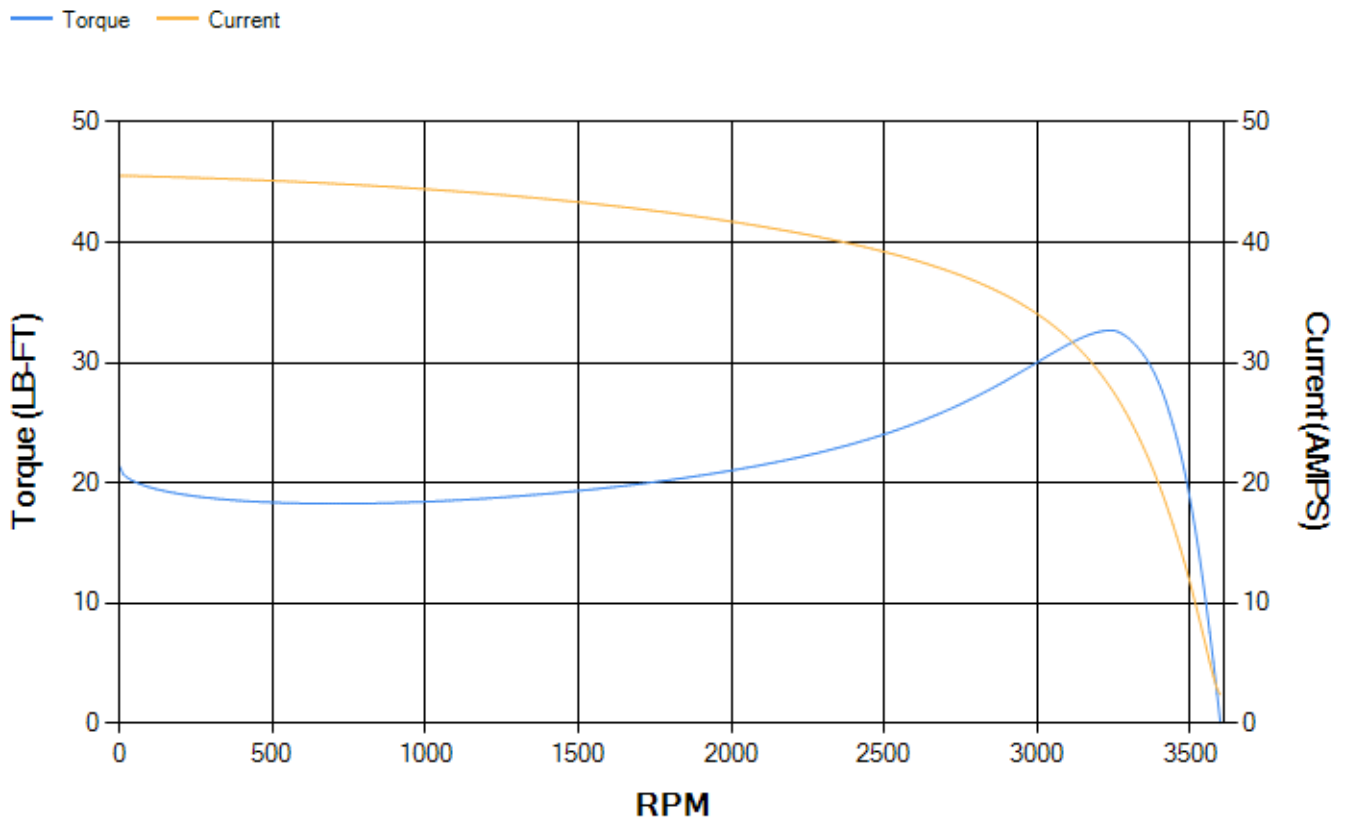
LOAD %	125.0	115.0	100.0	75.0	50.0	25.0	0.0
% EFF	88.2	88.75	89.61	89.96	89.25	84.34	0.00
% PF	88.55	88.3	87.48	84.34	76.49	56.13	9.37
AMPS	8.99	8.24	7.15	5.55	4.11	2.97	2.37

TORQ(FL)#FT	11.16	TORQ(LR)%FL	191.66	TORQ(BD)%FL	290.66
AMPS(LR)	45.56	PF AT START	0.36		

This motor is capable of two cold or one hot start with a maximum connected load inertia of 76 Lb-Ft Sq (3.2 Kg-meter Sq) at 100% voltage, where the load torque varies with the square of the speed. Acceleration time with maximum inertia and the above load type is 48 seconds. Safe stall time at 100% voltage is 85 seconds cold, 59 seconds hot. Rotor inertia is 0.31 Lb-Ft Sq (0.01 Kg-meter Sq).

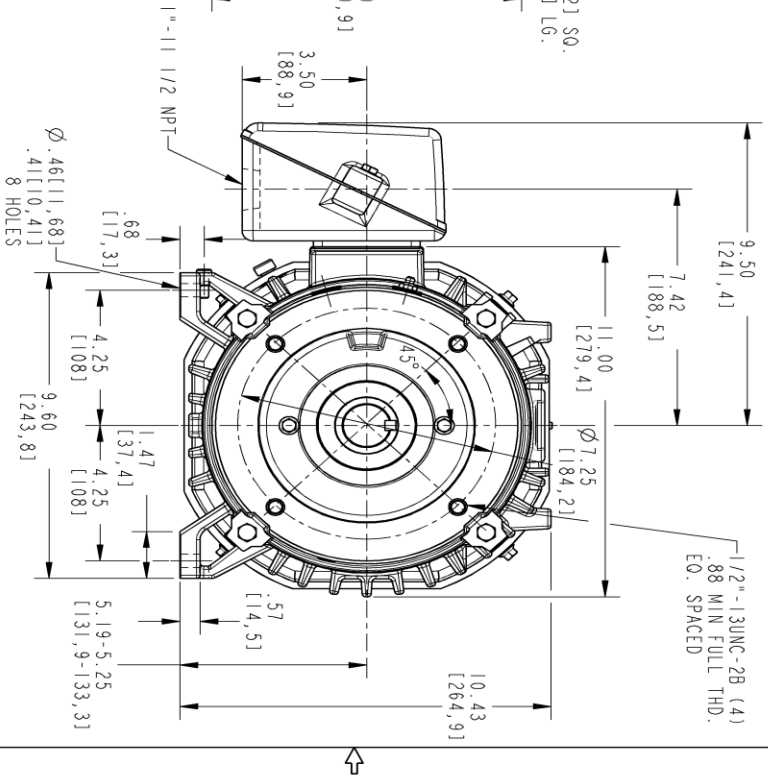
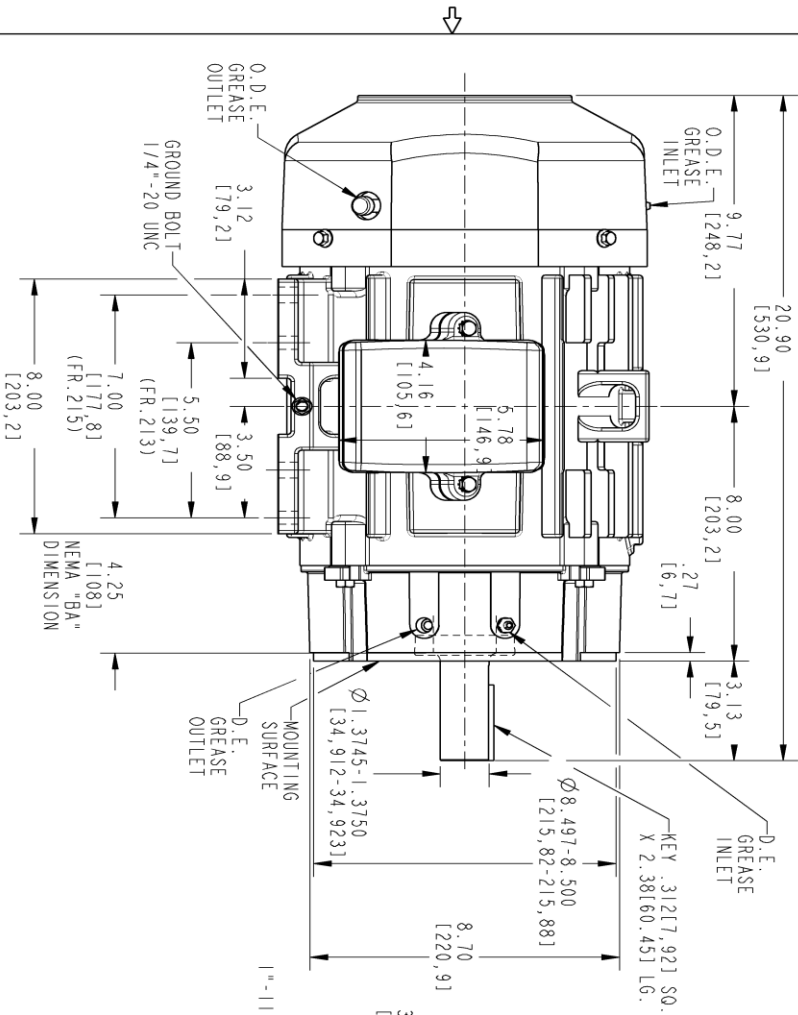
Open Circuit A-C:	0.4	Short Circuit D-C:	0.01
Short Circuit A-C:	0.018	X/R Ratio:	3.728
Stator Slots:	36	Rotor Slots:	26

Speed Torque Current Curve (First Connection, First Speed)



Marks:

- NOTE 1: CONDUIT BOX MAY BE ASSEMBLED WITH ENTRANCE UP, DOWN OR TO EITHER SIDE.
- NOTE 2: F1 ASSEMBLY AS SHOWN. F2 ASSEMBLY CONDUIT BOX ON OPPOSITE SIDE FROM SHOWN LOCATION.
- NOTE 3: MOUNTING SURFACES WILL BE SQUARE AND CONCENTRIC WITH SHAFT WITHIN .004 T.I.R.
- NOTE 4: SHAFT RUNOUT NOT TO EXCEED .001 T.I.R.
- NOTE 5: D.E. ENDSHIELD ROTATED 90° COUNTER CLOCKWISE.
- NOTE 6: ALL DIMENSIONS ARE IN INCHES, BRACKETED DIMENSIONS ARE IN METRIC (MILLIMETERS)

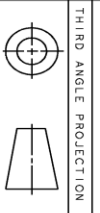


PROPRIETARY INFORMATION

All rights reserved. This document and the information it contains is the property of the Moting Electric America LLC and/or its affiliates. It has been provided solely for the use of the customer and is not to be distributed, copied, or used for any other purpose without the express written consent of Moting Electric America LLC. Moting Electric America LLC is not responsible for any errors or omissions in this drawing. Moting Electric America LLC is not responsible for any damage or injury resulting from the use of this drawing. Moting Electric America LLC is not responsible for any damage or injury resulting from the use of this drawing.

SIZE	DRAWING NO.	REV	SHEET
B	4002B5821PBP5463	001	1

REVISIONS			
REV.	DESCRIPTION	DATE	APPROVED
1	ISAAC# 18-0869	SNEDEVI 11/01/18	PRASHANTH



SIGNATURES	DATE
LAKSHIKANTH	03/02/17
LAKSHIKANTH	03/02/17
PYUSH	03/02/17
PYUSH	03/02/17

GE INDUSTRIAL MOTORS
a WOLONG company

INDUCTION MOTOR OUTLINE

IEEE-841 SPEC, "C" FACE AT DE (185° RABERT)
FR 29TC/29S TC TERC, 55 CL, IN BOX

SCALE: 0.300 REF. No.: 4002B5821PBP5311

ISSUED	SIZE/DRAWING	REV
LAKSHIKANTH 03/17/17	B	001

Marks:

Connection Diagram
GEM2034E-FIG1



End shield Assembly		
Part Description	DE Side Part#	ODE Side Part#
End Shield	128D6006RF1	4004D5282SJ1
Bearing	235A2507EB01	235A2503AE01
Slinger/Inproseal	4002B5914GF3	4002B5914AG3

Fan & Fan Cover Assembly	
Part Description	Part#
Fan	159C6704G01
Fan Cover	4003C5787PA1

Conduit & Accessories Box Assembly	
Part Description	Part#
Conduit Box	4002B5721PA-G01

Mechanical Accessories	
Part Description	Part#
Brake	
Tachometer	

